

PRODUCT DATA SHEET

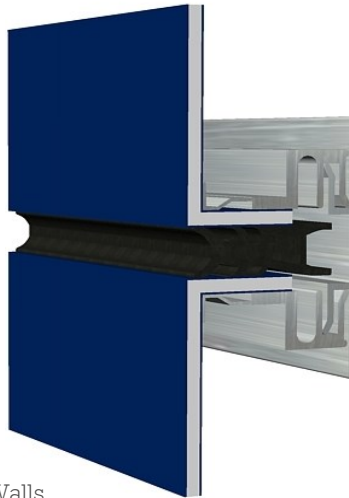
GS-175 Gasket Seal Panel System

Product Description:

The GS-175 Rainscreen Panel System consists of a 4mm aluminum composite panel that is fabricated and installed with an aluminum extrusion attachment system.

The joint condition is a half inch reveal with silicone gasket. The GS-175 system is designed to be installed over a weathertight vapor barrier and weep out penetrating water.

The owner or professional has the option to design panel dimensions (5' x 16' max) to their own appeal and in return gives the system a captivating appearance.



System Uses:

- Exterior Walls
- Interior Walls
- Columns
- Fascia/Soffits

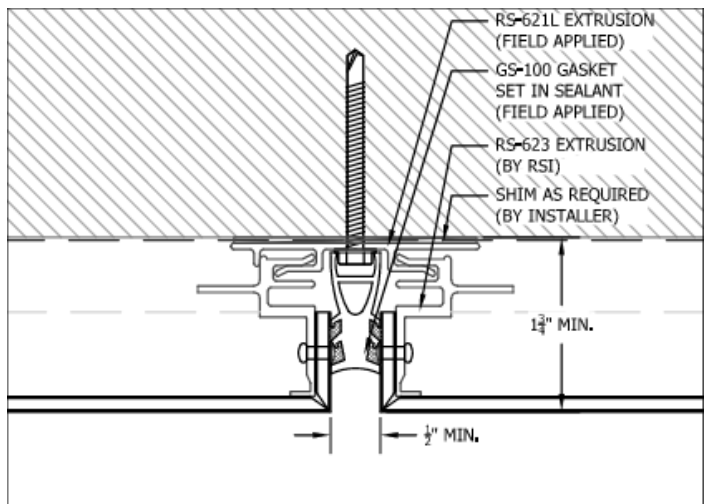
Panel Finishes:

Finishes feature 70% KYNAR 500 or HYLAR 5000 polyvinylidene fluoride (PVDF) resins.

Manufacturer supplied 20 Year Finish Warranty provided.

Color shall be selected from manufacturers standard Opaque, Mica or Metallic finishes.

Custom colors can be supplied at an additional charge.



TYPICAL PANEL JOINT

Performance Testing

Test Method	Title of Test	Results
<i>ASTM E 283-04</i>	Air Infiltration 1.60 psf (25mph)	<0.01 cfm/ft ²
<i>ASTM E 331-00</i>	Water Resistance 15.05 psf	No Leakage
<i>ASTM E 330-02</i>	Uniform Load Deflection 60.19 psf (positive) 60.19 psf (negative)	0.09" 0.04"
<i>ASTM E 330-02</i>	Uniform Load Structural 90.28 psf (positive) 90.28 psf (negative)	0.01" 0.01"

Aluminum Composite Panel Engineering Properties

U.S. and Metric Equivalent

Composite-designed panels consist of a thermoplastic compound Fire Resistant (FR) core faced with two sheets of aluminum.

PROPERTY	UNIT	4MM FR
Thickness of Aluminum Layers	inches mm	0.157 4.0
Weight	lb/ft ² kg/m ²	1.53 7.48
Standard Width	inches mm	50" & 62" 1270mm & 1,575mm
Standard Length	inches mm	16'-4" 4,978mm
Min. Bond Strength ASTM 781	in-lb/in Nm/m	22.5 100
Flatwise Shear ASTM D1002	lb/in ² MPa	92.8 6.4
Allowable Bending Stress	lb/in ² MPa	11,500 79.3
Coefficient of Expansion ASTM E228	in/in/°F mm/mm/°C	1.31x10 ⁻⁵ 2.36x10 ⁻⁵
Stiffness (EI)	lb in ² /in Mpa cm ⁻⁴ /m	1,262 1.4x10 ⁻⁴
Flexural Modulus Aged per ASTM C393	lb/in ² MPa	6.7x10 ⁻⁶ 4.6x10 ⁻⁴
Moment of Inertia	in ⁻⁴ /in cm ⁻⁴ /m	1.89x10 ⁻⁴ 0.310
Section Modulus	in ³ /in cm ³ /m	2.41x10 ³ 1.555
Tensile Yield ASTM D638	lb/in ² MPa	6,367 43.90
Flatwise Tensile ASTM C297	lb/in ² MPa	961 6.62
"R" Thermal Resistance (core only)	Ft ² hr°F/BTU m ² K/w	0.026 --
STC Sound Transmission Coefficient ASTM E90	dB	STC = 30, OITC 24
Fire Performance (2) ASTM E84 & NFPA 285	ASTM E84 NFPA285	CLASS A PASS
Thermal Resistance	m ² K/W	0.009
Temperature Resistance	°C	-50 to +80